

SUPER JIB II / 96 System

Operating Instruction

A: Super Jib II / 96 in combination with Panther Dolly

1. General remarks:

- the SUPER JIB II may only be installed/deinstalled and operated according to the operating instructions. The operating instructions must have been read and understood.
 - the SUPER JIB II may only be used by trained personnel.
 - only Panther Evolution or SUPER PANTHER III dollies with corresponding software for SUPER JIB II may be used (market on electronics: SUPER JIB SJ).
 - no pneumatic wheels may be used on the dolly in connection with SUPER JIB II.
 - the loading diagram must be observed.
 - in any case, before commissioning of SUPER JIB II, steadiness must again be tested using the maximum pitching moment to be expected.
 - the horizontal and vertical field of traverse of SUPER JIB II must in any case be kept free.
 - use of the STEER OUT EXTENSION is recommended.
 - Do not use Panther original accessories.
- Combined seat extensions (vertical/horizontal) with the order numbers 110, 111, 112, 105663, 105662, 105661 must not be used. Use only vertical seat extensions or combined seat extensions marked with "HD" (=heavy duty)
- the manufacturer assumes no liability for injury or damage incurred due to negligence or operating error.
 - take care, that during installation and operation there is an absolutely hard, inflexible underground, which is absolutely smooth and level. No inclined plane! Maximum wind during operation: 40 km/h.
 - during studio and rail operation, it must be taken care that no hard or loose objects can be rolled over. Even small spots of unevenness may endanger secure standing and driving. Do not use pneumatic wheels!
 - swing out all 4 wheel arms. Make sure that the locking bolts of the wheel arms are locked.
 - for balancing reasons and for your safety, the sequence of installation and loading instructions must be observed in any case.
- SUPER JIB II may only be installed in the variants shown within these operating instructions.
- take care, that the platform height may never exceed 3 m (118´) from ground (that means you may never swing out the outrigger e.g. outside a window or over the railing of a bridge. The underlay of tracks must be chosen that the max. height of the platform may not exceed 3 m (118´).

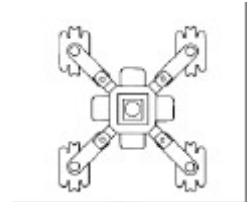


fig.1

2. Installation/deinstallation instructions:

- all 4 wheel arms of dolly must be completely swung out and locked (see above illustration fig.1).
 - the switch „SUPER JIB“ must be switched „ON“.
 - the adjustable seat arm is dismantled.
 - put on SUPER JIB ring and screw tight.
 - put on SUPER JIB II arm in such a manner, that the turnstile of the dolly is at right angles to the SUPER JIB II arm.
 - tightly fasten SUPER JIB II arm.
 - check DRAWBAR for tight fit, if necessary, secure it.
 - loosen transport lock, so that SUPER JIB II can be swiveled.
 - fasten CONNECTING ROD first to SUPER JIB II, and then to the SUPER JIB ring.
 - attention: make sure that the axle of the upper rail wheel of the connecting rod engages the milled pocket and that the clamping lever is affixed tightly.
- The rail wheel must now have a tight fit to the SUPER JIB ring.

Short version	Standard version	Long version	Remote version
<p>- hang weight suspender into SUPER JIB II arm and fasten tight.</p> <p>- loosen transport lock on the weight suspender and swing weight suspender upwards. Engage short drawbar to the swivel connections and lock using a 90° turn.</p> <p>- install weight bars to the weight suspender and secure them.</p>	<p>- hang the arm extension into the side of the connecting rod and fasten tight.</p> <p>- hang weight suspender into the arm extension and fasten tight.</p> <p>- loosen transport lock on the weight suspender and swing weight suspender upwards. Engage long drawbar to the swivel connections and lock using a 90° turn.</p> <p>- install weight bars to the weight suspender and secure them.</p>	<p>- hang the arm extension into the side of the connecting rod and fasten tight.</p> <p>- hang weight suspender into the arm extension and fasten tight.</p> <p>- loosen transport lock on the weight suspender and swing weight suspender upwards. Engage long drawbar to the swivel connections and lock using a 90° turn.</p> <p>- install weight bars to the weight suspender and secure them.</p> <p>- unlock the short drawbar (pull knob and turn drawbar by 90°) and take it off.</p> <p>- take off the platform holding joint.</p> <p>- hang in the second arm extension (not included in standard scope of supply) and fasten tight.</p> <p>- hang in platform holding joint and fasten tight.</p> <p>- hang in second long drawbar (not included in standard scope of supply) into the joint connections and secure with a 90° turn.</p>	<p>- hang in weight suspender into SUPER JIB II arm and fasten tight.</p> <p>- loosen transport lock on the weight suspender and swing weight suspender upwards. Engage short drawbar to the swivel connections and lock using a 90° turn.</p> <p>- install weight bars to the weight suspender and secure them.</p> <p>- unlock the short drawbar (pull knob and turn drawbar by 90°) and take it off.</p> <p>- take off the platform holding joint.</p> <p>- hang in the arm extension and fasten tight.</p> <p>- hang in platform holding joint and fasten tight.</p> <p>- hang in long drawbar into the joint connections and secure with a 90° turn.</p>

<p>- hang in high-low rig into the platform holding joint, depending on need, and fasten tight.</p> <p>- hang in platform into the holding bolt of the high-low rig, or directly into the platform holding joint, and fasten tight.</p> <p>Remark: The holding bolt on the high-low rig may be manually unscrewed. Depending on use, the holding bolt must be screwed into the lower thread of the two pairs of threading provided for this.</p>	<p>Hang in remote head mount (not included in standard scope of supply) into the platform holding joint and fasten tight.</p>
--	---

- when loading the platform / remote head mount respectively when mounting counterweights, the corresponding load tables must in any case be observed to avoid a toppling hazard and/or motor damage.

- the counterweights must be secured on the weight bars using split safety pins
- a scale should always be at hand to be able to observe the exact load values.
- disassembly is effected in reverse order.

3. Operation/ and hazards SUPER JIB I and II

1. Switch switch „Super Jib“ on the front panel to „on“. „Speed“ has to be switched to „1“ or „2“. Do not use „Speed“ in position „3“ or „4“. This could lead to motor damage.

2. The horizontal and vertical field of traverse of SUPER JIB must be kept free. The safety zone of ? 0.5 m must be kept in all directions. Please look out for possible pinching during assembly and operation.

3. By turning the Super Jib arm and driving in curves, centrifugal force is created, which may add up and may impair steadyness.

4. For safety reasons, it must absolutely be observed that the dolly stands/drives on absolutely level and stable, inflexible ground. During driving, absolutely look out that no hard or loose object can get beneath the wheels and impair toppling safety.
Example: Cable within the studio, etc. This also applies to operation on rails.

5. Safety regulations prescribe buckling of the safety belt for the operator. The manufacturer for this purpose offers bucket seats with safety belt.

6. All loads projecting beyond the platform change the load diagram and endanger steadiness. This for instance also concerns bending outside of the camera man.

7. When pivoting Super Jib, then observe that possibly occurring forces may impair steadiness (depending on acceleration).

8. When operating the lifting movement by the camera operator, it is necessary to use the manual control on a long spiral cable provided for this purpose. Make sure, that this cable always moves freely.

9. To prevent possible collision with the steering wheel, use the steering steer out extension.

10. Do not leave loose objects lying on the platform.

11. During disassembly in reverse order, observe load diagram.

ATTENTION !:

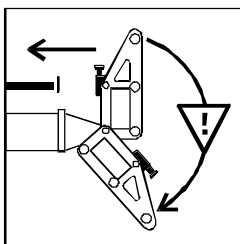
1. The LOAD DIAGRAM shows figures for central load of the PLATFORM in starting position of the column.
These figures are impaired by:
 - a) fast acceleration / braking.
 - b) uneven standing/driving area.
 - c) superstructural parts and accessories and by dislocation of weight by the persons outside of the PLATFORM.
It is necessary to keep to the line of OPTIMUM LOADING, so that the motor is not overloaded.
If the motor is constantly overloaded, then this may lead to motor damage.
2. The parts of the platform, which can be swung out, may only be loaded with a maximum of 50 kg.
3. SUPER JIB II may not be operated manually in connection with dolly (not without connecting rod).
This could lead to motor damage.



In the area of these yellow signs, no persons and / or body parts (for instance hands, arms...) may be situated during operation.

DANGER OF PINCHING !

In no case may persons be below the platform and the weight suspender.



When uninstalling the weight suspender respectively unhinging the drawbar, it must be observed that the weights have been removed and that the weight suspender does not swing down in an uncontrolled manner.
(yellow signs on the weight suspender - see above !)

Remark: Grasp through the weight suspender from the back and pull the safety knob, after the weights have been taken from the weight bars.

B: Super Jib II / 96 Crane Version 1-6

1. General Remarks:

The Super Jib II / 96 Crane Version 1-6 may only be installed/deinstalled and operated according to the operating instructions. The operating instructions must have been read and understood.

The Super Jib II / 96 Crane Version 1-6 may only be used by trained personnel.

As a base dolly the Pegasus Mini, Compact or Mammoth Base may be used.

Air tires may only be used on the Mammoth Base in connection with spindles. If air tires are used (Mammoth Base), then the lifting spindles may only be minimally elevated (about 1-2 cm) from the floor for movement of the base. This secures that the crane cannot tip over even in case of a flat tire. For stationary use, all 4 lifting spindles must be extracted for secured stand. Use a water level to level the base. To achieve optimum stand, it is advisable to use the Support extension for Mammoth Basis. The wheels of the Mini or Compact Basis must be braked.

In any case, before commissioning of the Super Jib II / 96 Crane Version 1-6, steadiness must be tested. The base must be at a standstill in order to pan or tilt the outrigger.

The maximum load of the respective crane version must be observed in any case and may not be exceeded.

Payload / SWL (safe working load) = all component parts on platform incl. person(s).

Maximum wind daring operating: 20 km/h.

The horizontal and vertical field of traverse of the Pegasus Crane System must in any case be kept free. The safety zone of ? 0.5 m must be kept in all directions. Please look out for possible pinching during assembly and operation.

The manufacturer assumes no liability for injury or damage incurred due to negligence or operating error.

Take care, that during installation and operation there is an absolutely hard, inflexible underground, which is absolutely smooth and level. No inclined plane!

In any case, take care that no hard or loose objects can get under the wheels. Even slight unevenness may endanger standing and driving safely.

The sequence for setup/knocking down must be observed.

The Super Jib II / 96 Crane Version 1-6 may only be set up according to the setup versions shown in this operating instructions.

Take care, that the platform height may never exceed 3 m (118´´) from ground (that means you may never swing out the outrigger e.g. outside a window or over the railing of a bridge. The underlay of tracks must be chosen that the max. height of the platform may not exceed 3 m (118´´).

2. Installation/deinstallation instructions:

Important: During setup and knock down, one trained person must coordinate and control every activity of helpers.

1. The base dolly must be secured against movement on level and stable ground.
2. Set the pyramid onto the base dolly and scew it tight.
Important: Make sure for the future, that all screws respectively tightening levers have been conscientiously tightened.
3. Insert the Jib Central Pivot Section, onto the pyramid and screw it tight.
4. Insert all Outriggers in the right sequence (see illustration) and screw them tight.
5. Install all balance rods in the right sequence. In the respective place, the balance rod must be inserted into balance rod support (Version 6).

Make sure that all connections have properly engaged and are secured correspondingly.

6. Hang up the Platform/Remote Head Mount on the long crane arm side, the Weight Suspender onto the short crane arm side and screw them tight. Use the fine adjustment counterweight for balance fine adjustment.
7. The Super Jib II / 96 Crane Version 1-6 is dismantled in reciprocal sequence, after all weights have been removed from the Weight Suspender.

3. Operation and Hazards:

The crane operator is obliged to point out the obligation to wear safety belt to all persons on the platform. The persons may only then get off the platform after the weights have been removed from the Weight Suspender.

By turning the crane arm and driving in curves, centrifugal force is created, which may add up and may impair steadiness.

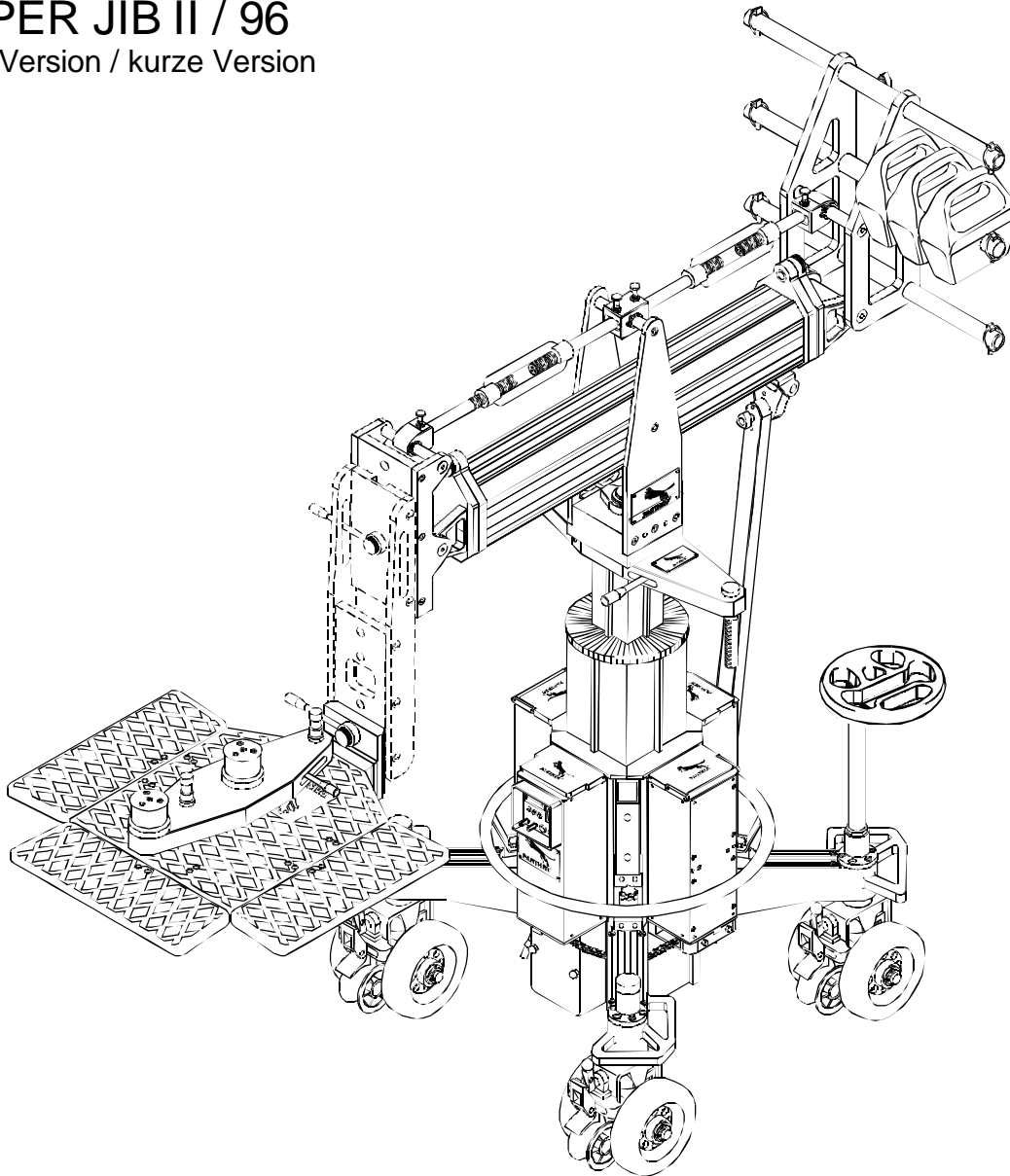
Do not leave loose objects lying on the platform.

The Super Jib II / 96 Crane Version 1-6 may never be left unattended in assembled state.

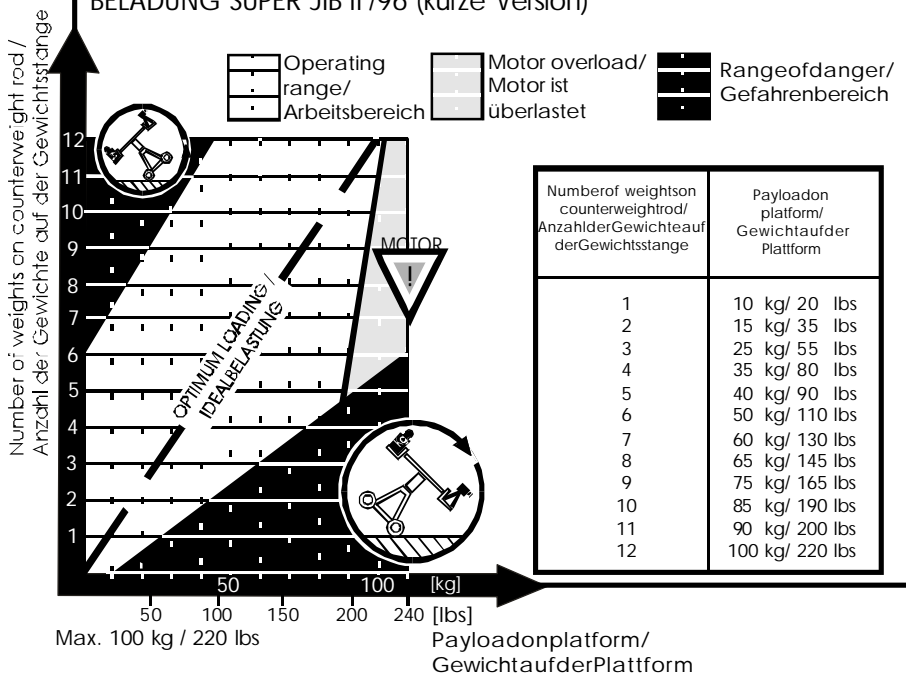
The crane must be put apart or secured for wind when out of service. Please observe DIN 15019 part 1/6.1.3 to have enough time to dismantle the crane if a storm arises.

SUPER JIB II / 96

short Version / kurze Version

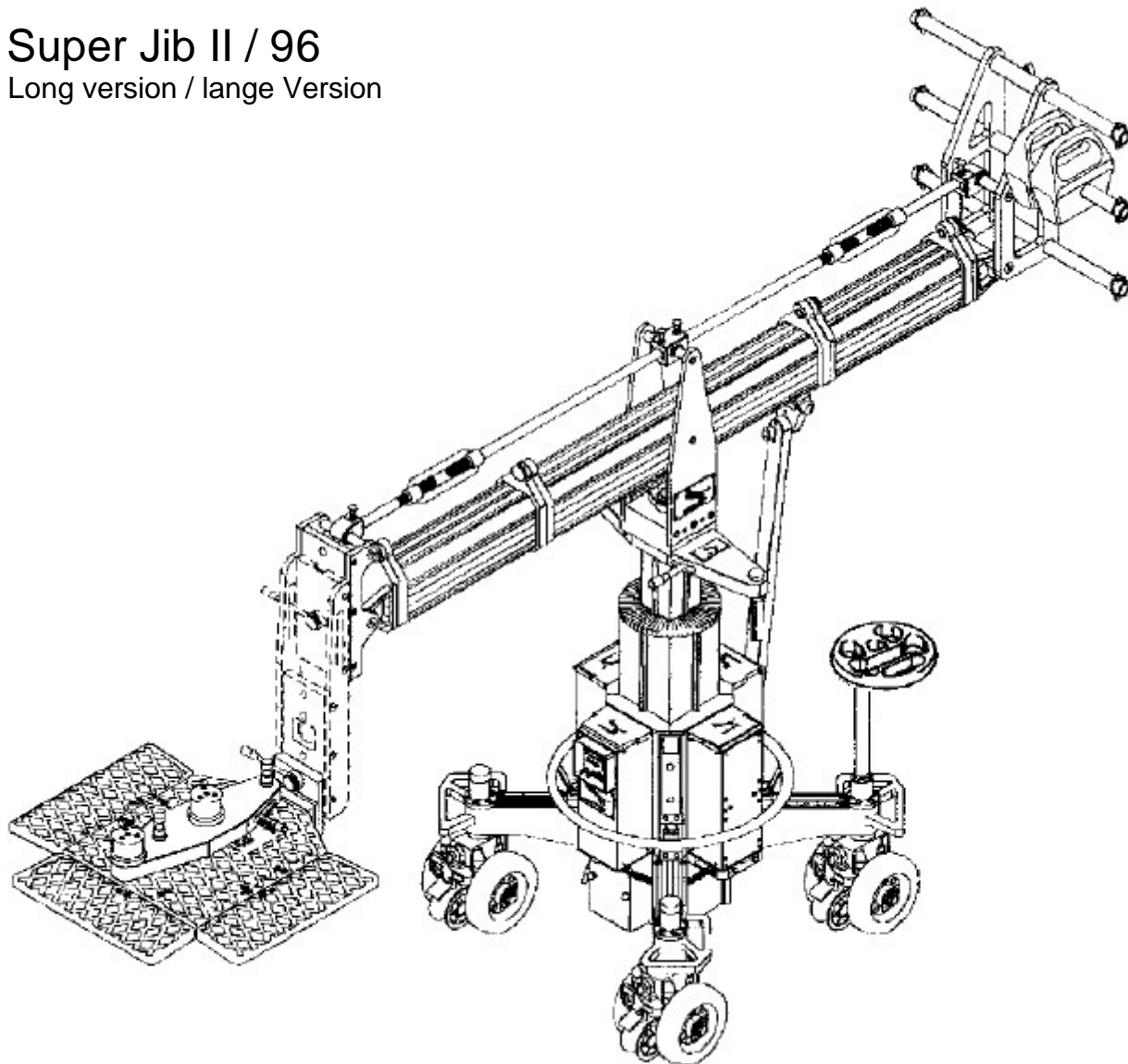


LOADING OF SUPER JIB II /96 (short Version) BELADUNG SUPER JIB II /96 (kurze Version)



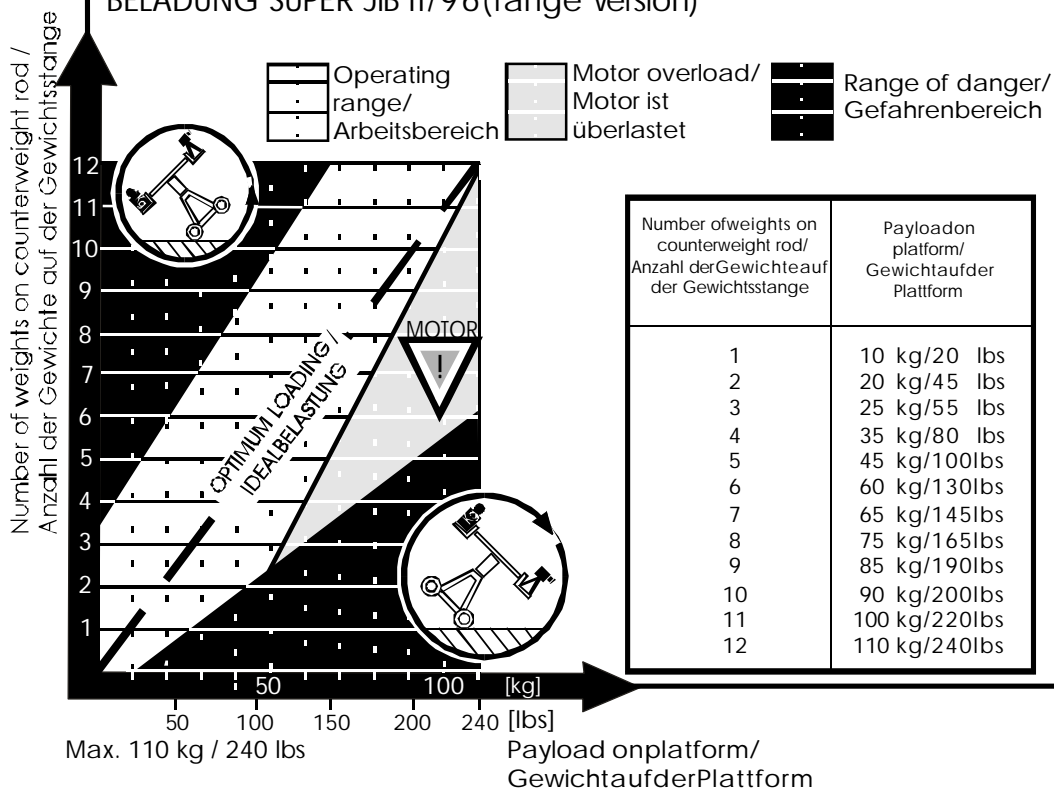
Super Jib II / 96

Long version / lange Version



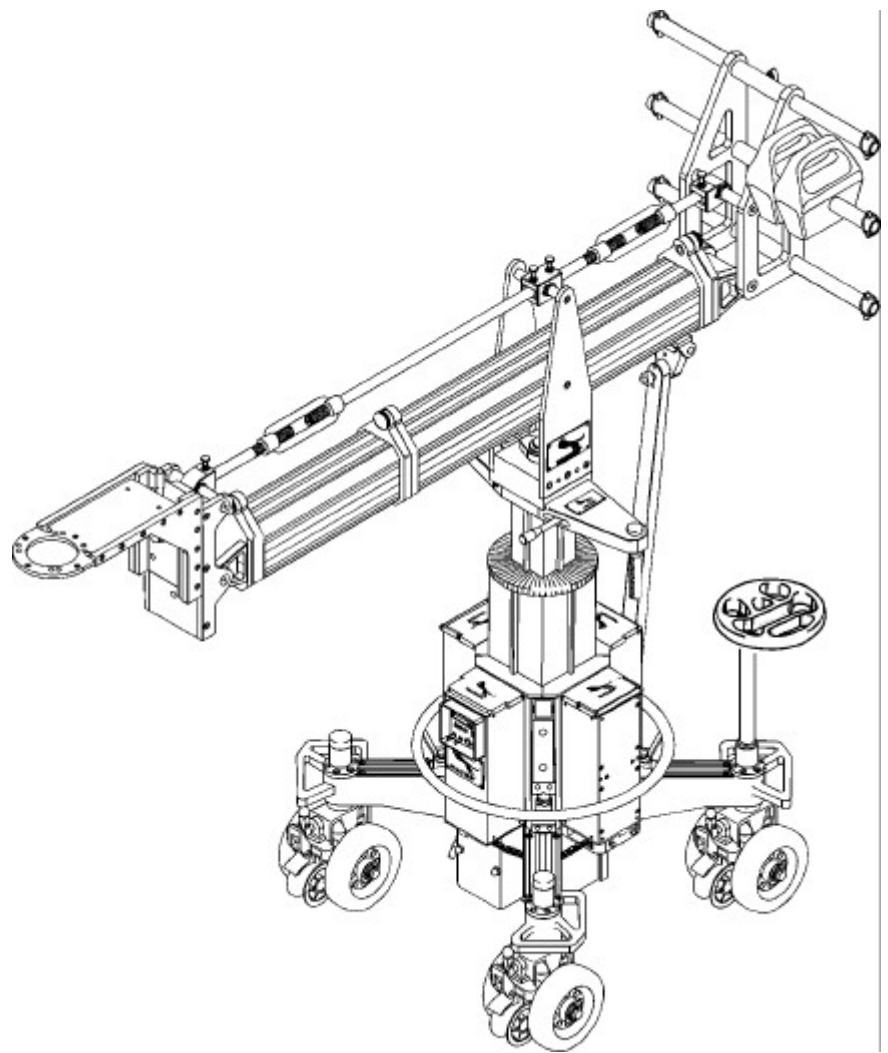
LOADING OF SUPER JIB II /96 (long Version)

BELADUNG SUPER JIB II/96(lange Version)

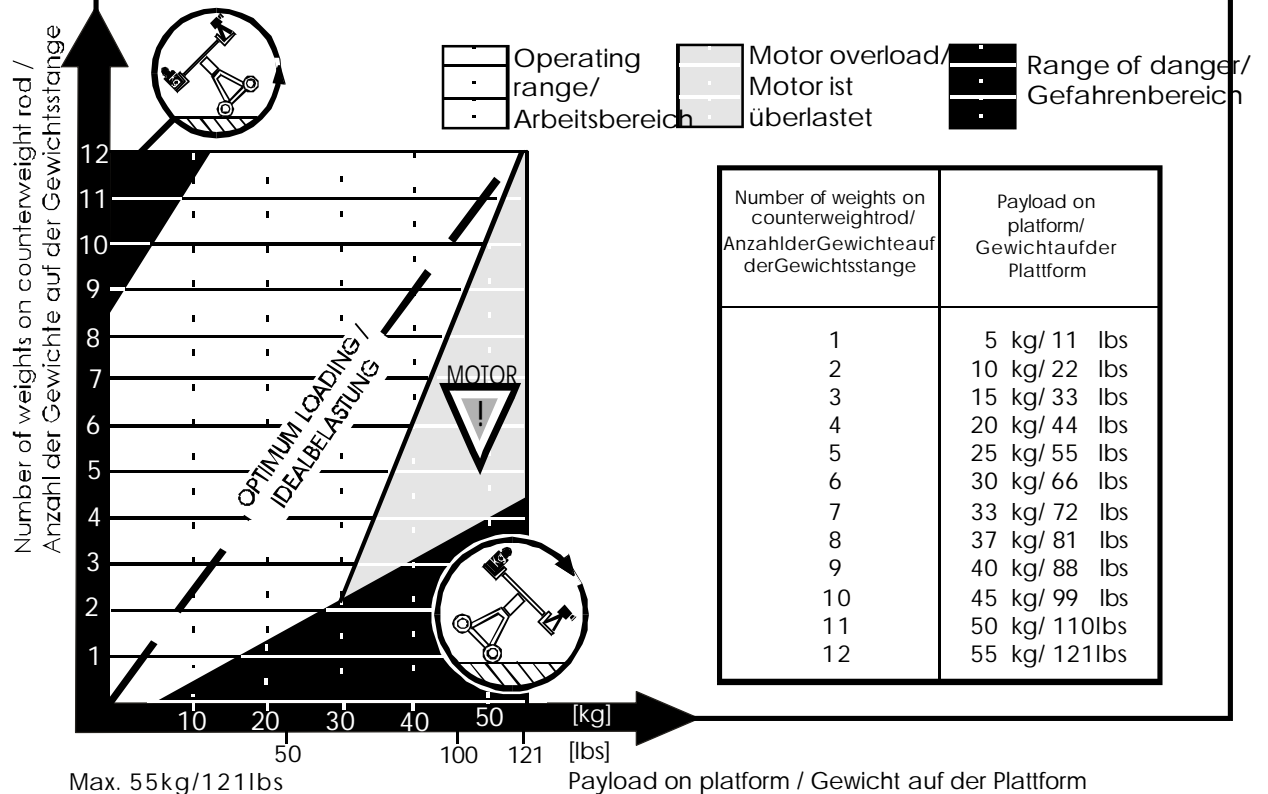


SUPER JIB II / 96

Remote Version

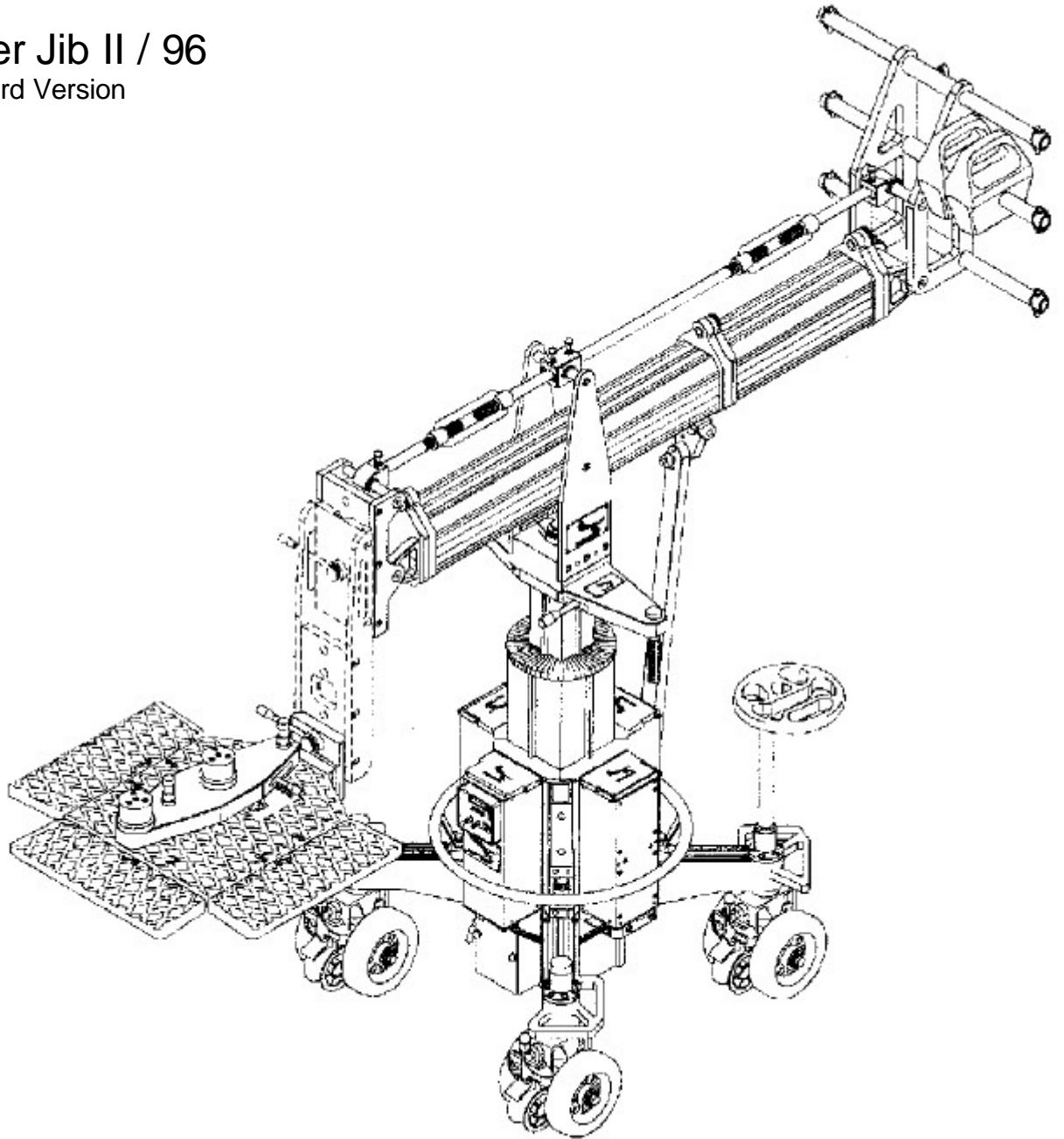


LOADING OF SUPER JIB II /96 (Remote Version) BELADUNG SUPER JIB II /96 (Remote Version)



Super Jib II / 96

Standard Version



LOADING OF SUPER JIB II / 96 (Standard Version)

BELADUNG SUPER JIB II / 96 (Standard Version)

